

ROLLER FAIRLEADS

- Our fairleads are designed for mounting free on deck, and welding into the bulwark, and a rope turn of 90°. The rollers and axles are interchangeable.
- The values of the tabulations are only proposals. They are our standard, if desired we can make specials in the same format.
- Our roller-fairleads are approved by "St. Lawrence Seaway Authority".

roller	Rated towing pull	Rope Ø	Breaking strength of wire
80 mm	20 kN	-12 mm	150 kN
100 mm	30 kN	-16 mm	220 kN
120 mm	50 kN	-20 mm	350 kN
140 mm	80 kN	-24 mm	500 kN
180 mm	120 kN	-32 mm	800 kN
245 mm	200 kN	-40 mm	1150 kN
300 mm	320 kN	-48 mm	1750 kN

Casing	:	Welded construction
Standard bearing	:	bronze slide bearing, seawater resistant, with grease lubrication
Special bearings	:	Polyamid / bronze bearing (free of maintenance) Bronze / stainless steel bearing
Lubrication nipples	:	hydraulic type M10 x 14 according to DIN 71412 - 5.8 zined

Examples of configurations available types:

2.1.1. BW__F	2.1.2. BDW__F	2.1.3. BW__1LF
2.1.3. BW__1RF	2.1.3. BW__2F	2.1.4. BW__FL
2.1.5. PW__F	2.1.6. BW__Fs	2.1.9. Smitberger rollerfairlead

Other configurations are: (among others)

TYPE	Positie van de rollen		TYPE	Positie van de rollen	
	Bovenaanzicht	Zij aanzicht		Bovenaanzicht	Zij aanzicht
PW ...F BW ...F			PW ...FL BW ...FL		
PW .../1 LF BW .../1 LF			PW .../1 LFL BW .../1 LFL		
PW .../1 RF BW .../1 RF			PW .../1 RFL BW ...1 RFL		
PW .../2 F BW .../2 F			PW .../2 FL BW .../2 FL		
PDW...F BDW...F			PDW...FL BDW...FL		
PDW.../1 LF BDW.../1 LF			PDW.../1 LFL BDW.../1 LFL		
PDW.../1 MF BDW.../1 MF			PDW.../1 MFL BDW.../1 MFL		
PDW.../1 RF BDW.../1 RF			PDW.../1 RFL BDW.../1 RFL		
PDW.../2 F BDW.../2 F			PDW.../2 FL BDW.../2 FL		
PDW.../2 LF BDW.../2 LF			PDW.../2 LFL BDW.../2 LFL		
PDW.../2 RF BDW.../2 RF			PDW.../2 RFL BDW.../2 RFL		
PDW.../3 F BDW.../3 F			PDW.../3 FL BDW.../3 FL		

PW ... : Roller-fairlead for 1 cable,

mounting: in the bulwark.

PDW ... : Double Roller-fairlead for 2 cables,

mounting: in the bulwark.

BW ... : Roller-fairlead for 1 cable,

mounting: free on deck.

BDW ... : Double Roller-fairlead for 2 cables,

mounting: free on deck.

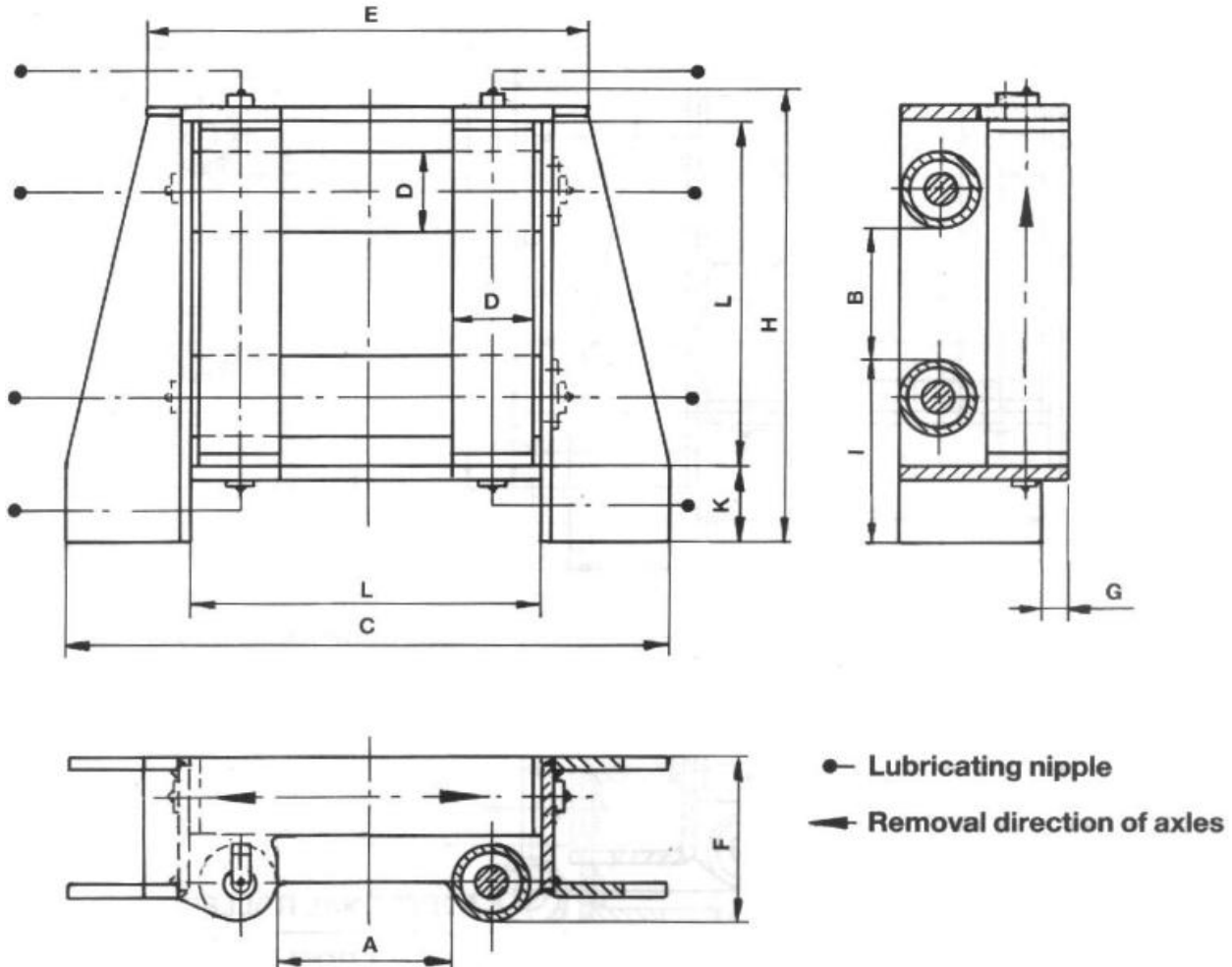
... K : Maintenance-poor artificial bronze / Niro bearing.

... Au : wire stroke between the vertical rollers on the underside

... Ao : wire stroke between the vertical rollers on the upper-side.

2.1.1. ROLLER-FAIRLEADS

Casing	:	Welded construction
Standard bearing	:	bronze slide bearing, seawater resistant, with grease lubrication
Special bearings	:	polyamide / bronze bearing (free of maintenance) Bronze / stainless steel bearing
Lubrication nipples	:	hydraulic type M10 x 14 according to DIN 71412 - 5.8 zined



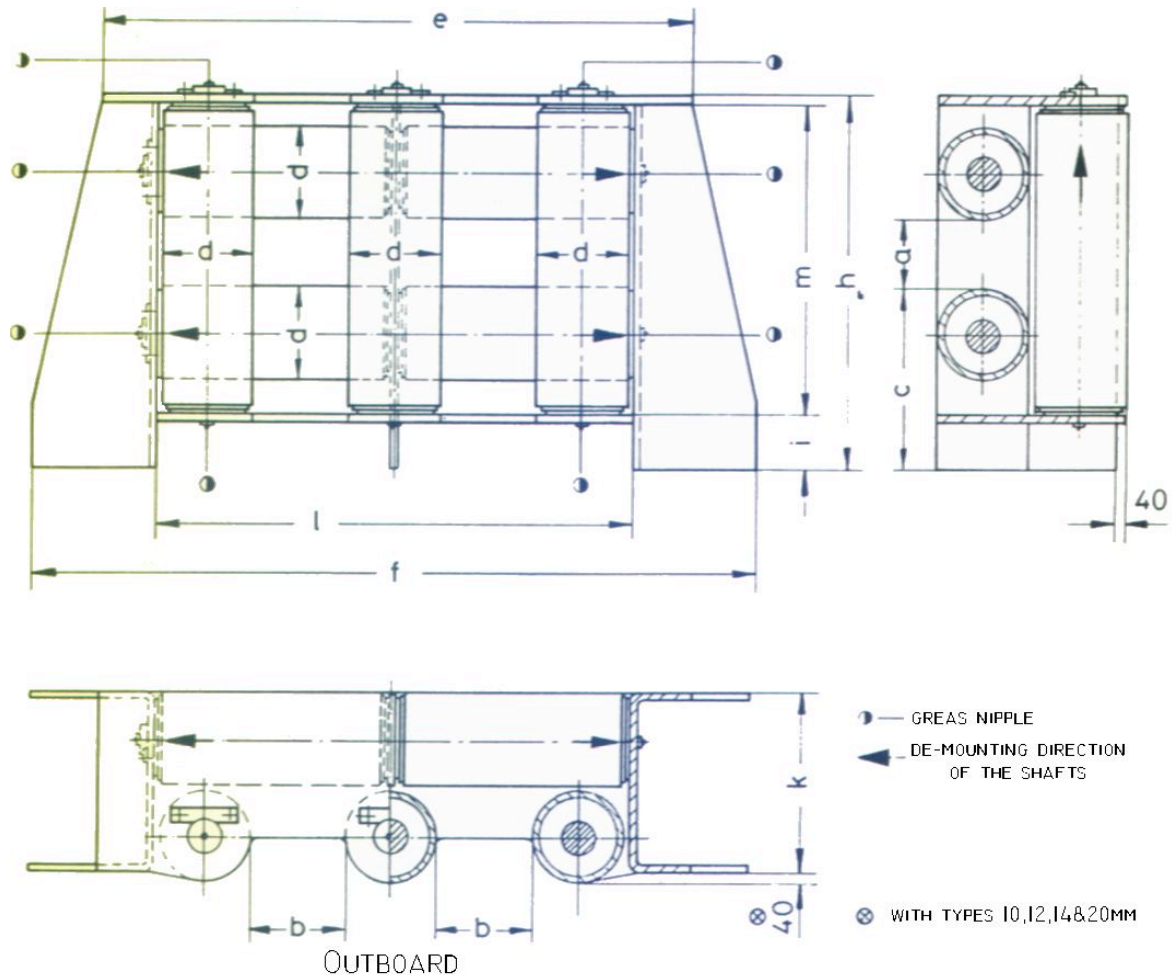
Designed for: 1 rope
 Mounting: free on deck
 Approved by: "St. Lawrence Seaway Authority"

Type	Rated towing pull	Rope \varnothing	Wire Size	A	B	C	D	E	F	G	H	I	K	L	Weight
BW8F	20 kN	-12 mm	12	180	100	650	80	446	170	10	456	208	80	356	75 kg
BW10F	30 kN	-16 mm	16	230	130	800	100	546	210	10	571	258	100	446	130 kg
BW12F	50 kN	-20 mm	20	250	130	900	120	626	250	15	656	308	120	506	220 kg
BW14F	80 kN	-24 mm	24	280	160	1.000	140	716	288	20	726	328	120	576	320 kg
BW18F	120 kN	-32 mm	32	300	160	1.200	180	836	366	25	852	398	140	676	580 kg
BW24,5F	200 kN	-40 mm	40	320	180	1.350	245	1.030	500	35	1.035	505	180	830	1.100 kg
BW30F	320 kN	-48 mm	48	400	250	1.700	300	1.236	610	45	1.260	583	200	1.016	2.210 kg

Alternations may occur, all dimensions in mm

2.1.2. ROLLER-FAIRLEADS

Casing	:	Welded construction
Standard bearing	:	bronze slide bearing, seawater resistant, with grease lubrication
Special bearings	:	polyamid / bronze bearing (free of maintenance) Bronze / stainless steel bearing
Lubrication nipples	:	hydraulic type M10 x 14 according to DIN 71412 - 5.8 zincd



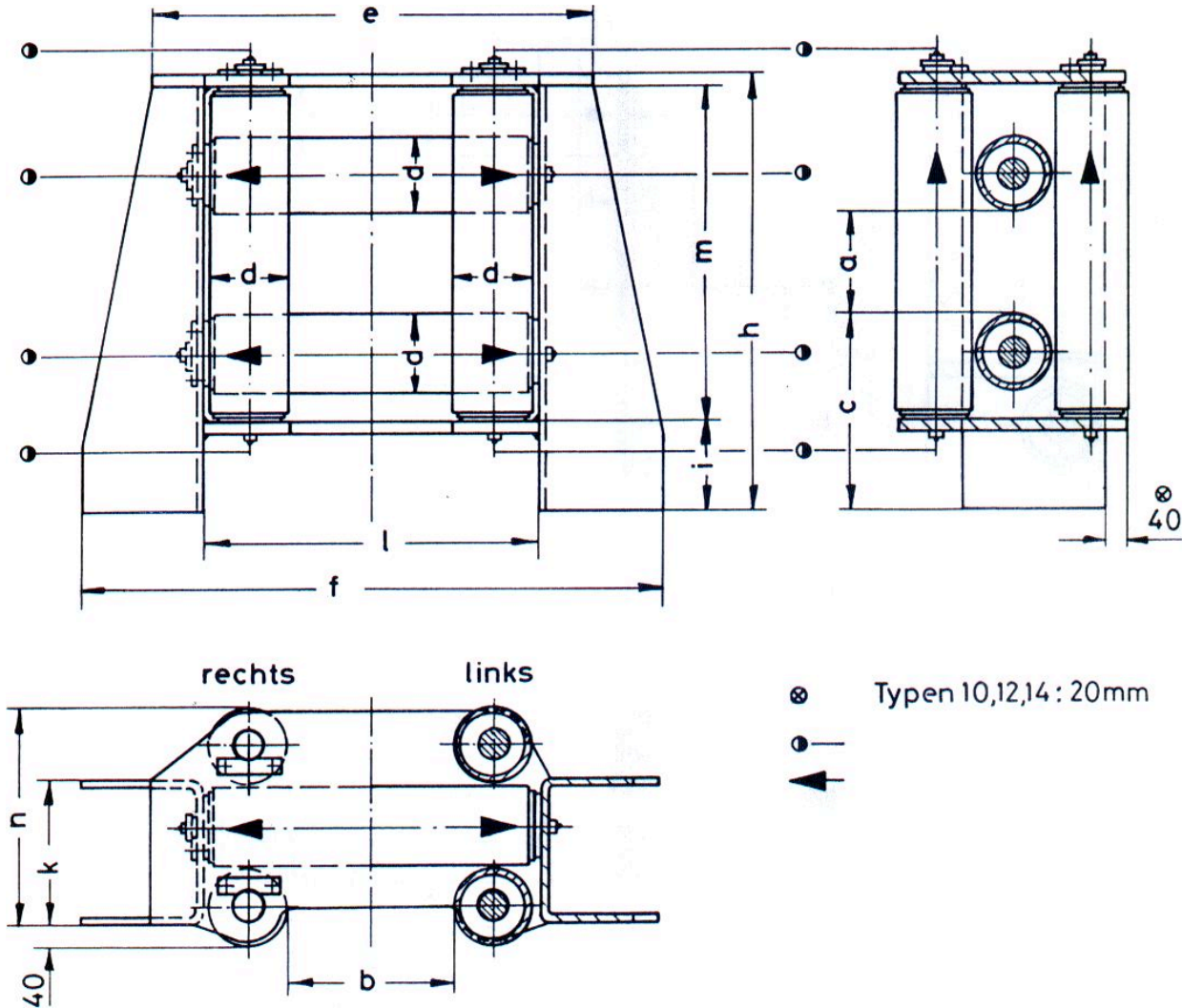
Designed for: 2 rope
 Mounting: free on deck
 Approved by: "St. Lawrence Seaway Authority"

Type	Rated towing pull	Rope \varnothing	Breaking strength of wire	A	B	C	D	E	F	G	H	I	K	L	M	Weight Kg
BDW 8 F ₋	20 kN	-12 mm	150 kN	100	180	208	80	710	914	32	465	80	170	620	356	85
BDW 10 F ₋	30 kN	-16 mm	220 kN	130	230	258	100	878	1132	40	575	100	210	778	446	145
BDW12 F ₋	50 kN	-20 mm	350 kN	130	250	308	120	998	1272	45	655	120	250	878	506	255
BDW14 F ₋	80 kN	-24 mm	500 kN	160	280	328	140	1136	1420	50	730	120	288	996	576	390
BDW 18 F ₋	120 kN	-32 mm	800 kN	160	300	398	180	1314	1678	65	855	140	366	1154	676	700
BDW24,5 F ₋	200 kN	-40 mm	1150 kN	180	320	505	245	1596	1916	85	1045	180	500	1396	830	1300
BDW 30 F ₋	320 kN	-48mm	1750 kN	250	400	583	300	1936	2400	105	1260	200	608	1716	1016	2400

Alternations may occur - all dimensions in mm - all weights in kg.

2.1.3. ROLLER-FAIRLEADS

- Casing : Welded construction
- Standard bearing : bronze slide bearing, seawater resistant, with grease lubrication
- Special bearings : polyamid / bronze bearing (free of maintenance)
Bronze / stainless steel bearing
- Lubrication nipples : hydraulic type M10 x 14 according to DIN 71412 - 5.8 zined



Designed for: 1 rope
 Mounting: free on deck
 Approved by: "St. Lawrence Seaway Authority"

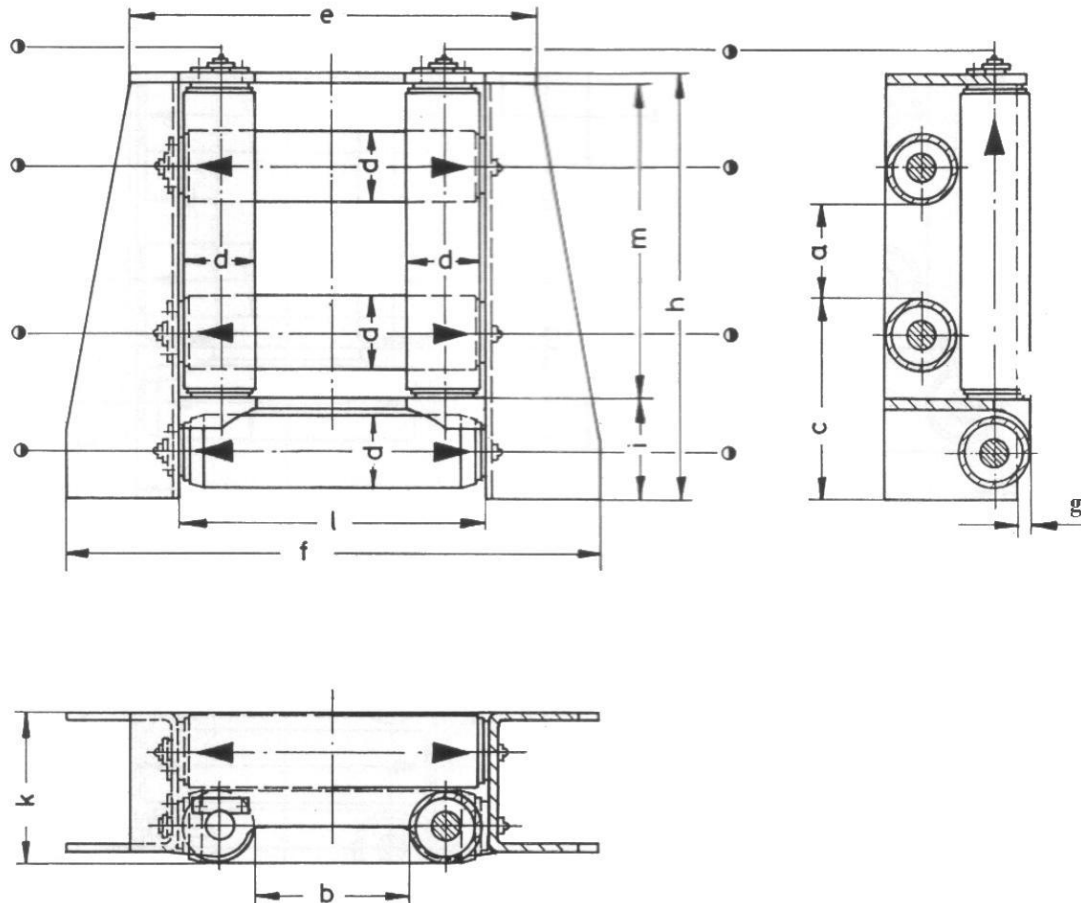
Type BW __ 1LF 1 additional roller left side ①
 Type BW __ 1RF 1 additional roller right side ①
 Type BW __ 2F 2 additional rollers both sides ②

Type	Rated towing pull	Rope Ø	Breaking strength of wire	Wire Size	A	B	C	D	E	F	G	H	I	K	L	M	Weight	
																	Kg①	Kg②
BW 8 F_	20 kN	-12 mm	150 kN	12	180	100	650	80	446	170	32	465	208	80	356	255	85	95
BW 10 F_	30 kN	-16 mm	220 kN	16	230	130	800	100	546	210	40	575	258	100	446	315	145	165
BW12 F_	50 kN	-20 mm	350 kN	20	250	130	900	120	626	250	45	655	308	120	506	375	255	290
BW14 F_	80 kN	-24 mm	500 kN	24	280	160	1000	140	716	288	50	730	328	120	576	432	390	440
BW 18 F_	120 kN	-32 mm	800 kN	32	300	160	1200	180	836	366	65	855	398	140	676	549	700	920
BW24,5 F_	200 kN	-40 mm	1150 kN	40	320	180	1350	245	1030	500	85	1045	505	180	830	750	1300	1550
BW 30 F_	320 kN	-48mm	1750 kN	48	400	250	1700	300	1236	608	105	1260	583	200	1016	912	2400	2700

Alternations may occur - all dimensions in mm - all weights in k

2.1.4. ROLLER-FAIRLEADS

Casing	:	Welded construction
Standard bearing	:	bronze slide bearing, seawater resistant, with grease lubrication
Special bearings	:	polyamid / bronze bearing (free of maintenance) Bronze / stainless steel bearing
Lubrication nipples	:	hydraulic type M10 x 14 according to DIN 71412 - 5.8 zined



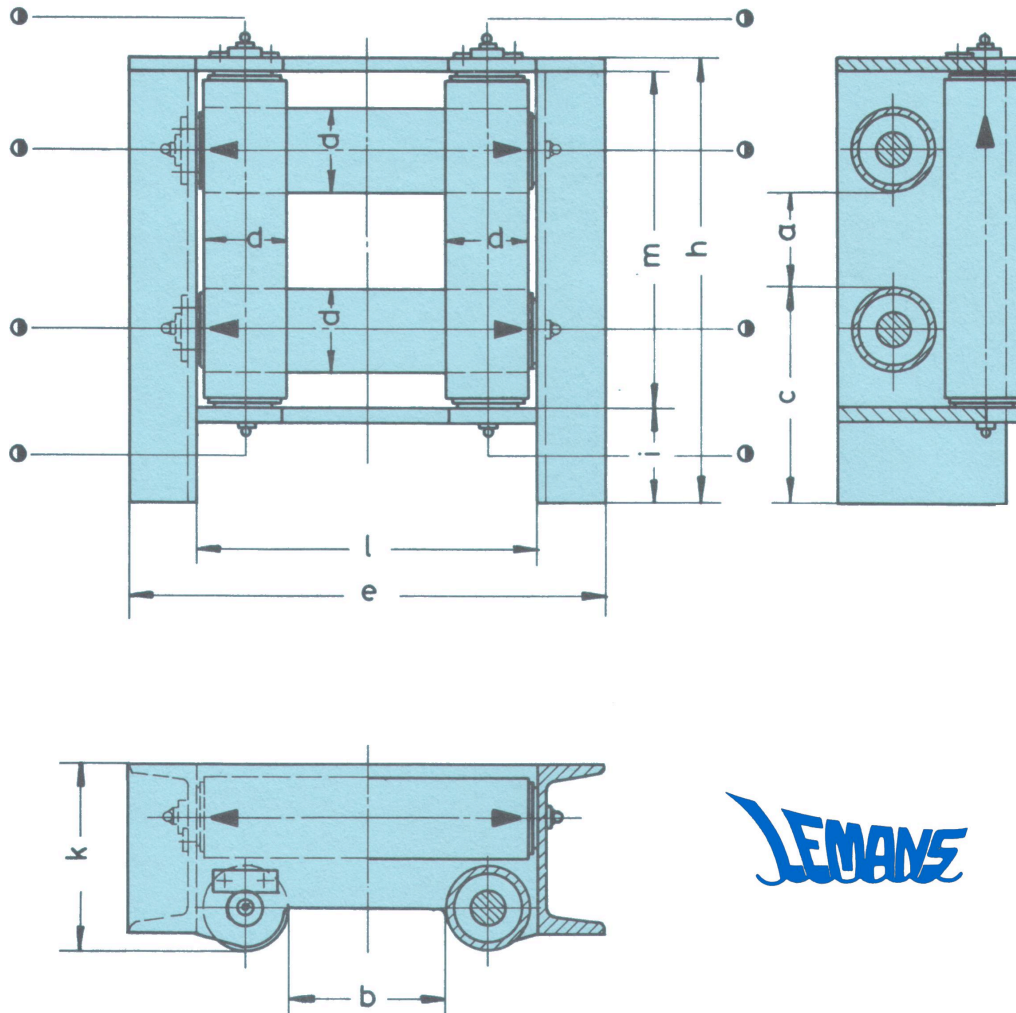
Designed for: 1 rope
 Mounting: free on deck
 Approved by: "St. Lawrence Seaway Authority"

Type	Rated towing pull	Rope Ø	Breaking strength of wire	Wire Size	A	B	C	D	E	F	G	H	I	K	L	M	Weight (kg)
BW 8 F ₋	20 kN	-12 mm	150 kN	12	180	100	253	80	446	700	10	510	125	170	356	356	125
BW 10 F ₋	30 kN	-16 mm	220 kN	16	230	130	308	100	546	900	10	625	150	210	446	446	160
BW12 F ₋	50 kN	-20 mm	350 kN	20	250	130	363	120	626	1000	15	710	175	250	506	506	400
BW14 F ₋	80 kN	-24 mm	500 kN	24	280	160	423	140	716	1100	20	825	215	288	576	576	750
BW 18 F ₋	120 kN	-32 mm	800 kN	32	300	160	518	180	836	1300	25	975	260	366	676	676	860
BW24,5 F ₋	200 kN	-40 mm	1150 kN	40	320	180	660	245	1030	1450	35	1200	335	500	830	830	1550
BW 30 F ₋	320 kN	-48mm	1750 kN	48	400	250	788	300	1236	1800	45	1465	405	608	1016	1016	2700

Alternations may occur - all dimensions in mm - all weights in kg

2.1.5. ROLLER-FAIRLEADS

Casing	:	Welded construction
Standard bearing	:	bronze slide bearing, seawater resistant, with grease lubrication
Special bearings	:	polyamide / bronze bearing (free of maintenance) Bronze / stainless steel bearing
Lubrication nipples	:	hydraulic type M10 x 14 according to DIN 71412 - 5.8 zined



LEMANS

Designed for: 1 rope
 Mounting: weld able in the bulwark
 Approved by: "St. Lawrence Seaway Authority"

Type	Rated towing pull	Rope Ø	Wire Size	D	A	B	C	E	H	I	K	L	M	Weight
PW8F	20 kN	-12 mm	12											75 kg
PW10F	30 kN	-16 mm	16	100	130	230	290	590	590	125	180	450	450	120 kg
PW12F	50 kN	-20 mm	20											210 kg
PW14F	80 kN	-24 mm	24											550 kg
PW18F	120 kN	-32 mm	32											680 kg
PW24,5F	200 kN	-40 mm	40											1.020 kg
PW30F	320 kN	-48 mm	48											2.100 kg

Alternations may occur, all dimensions in mm

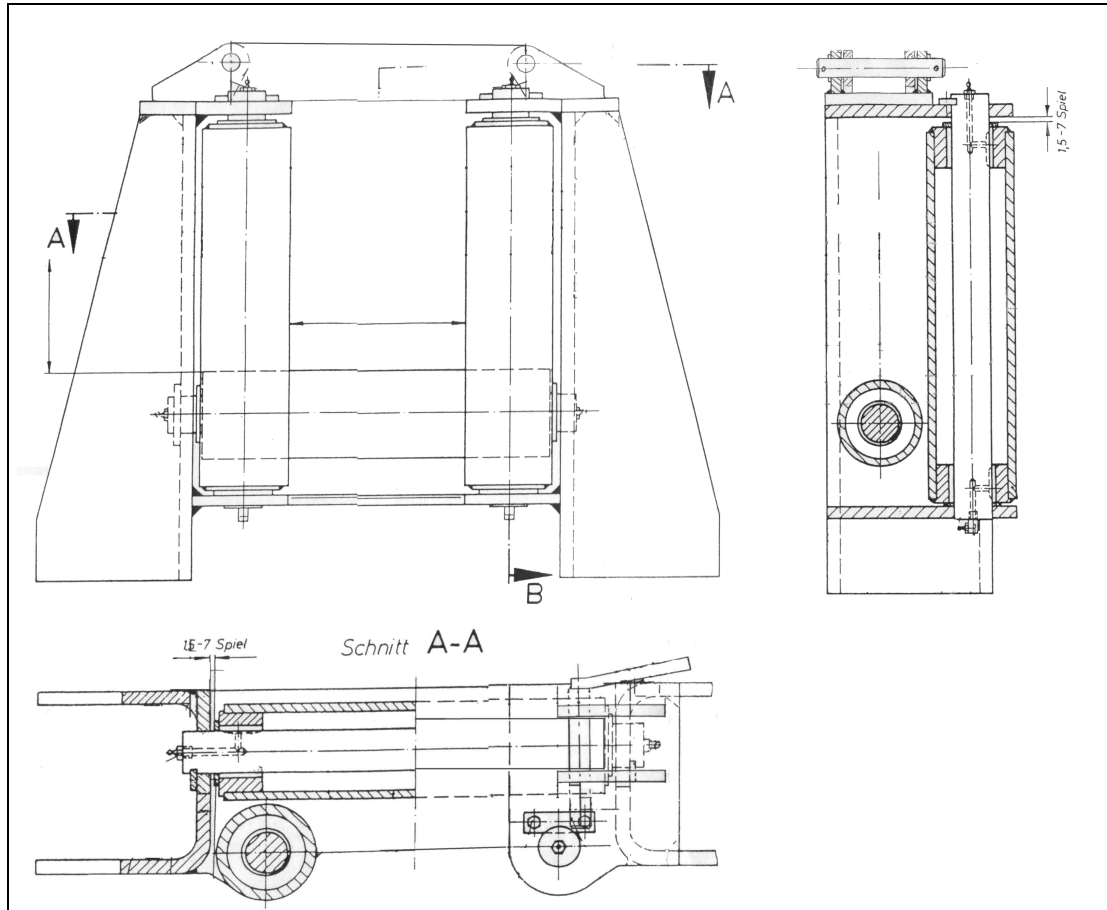
LEMANS NEDERLAND B.V.

Lemans Nederland b.v.
 Postbus 527
 NL-4600 AM BERGEN OP ZOOM
 Nederland

Tel. (+31) 0164 680097
 Fax. (+31) 0164 681971
 E-mail lemans@tip.nl
 Website <http://www.lemans-nederland.nl/>

2.1.6. 3-ROLLER-FAIRLEADS

Casing	:	Welded construction
Standard bearing	:	bronze slide bearing, seawater resistant, with grease lubrication
Special bearings	:	polyamide / bronze bearing (free of maintenance) Bronze / stainless steel bearing
Lubrication nipples	:	hydraulic type M10 x 14 according to DIN 71412 - 5.8 zincd



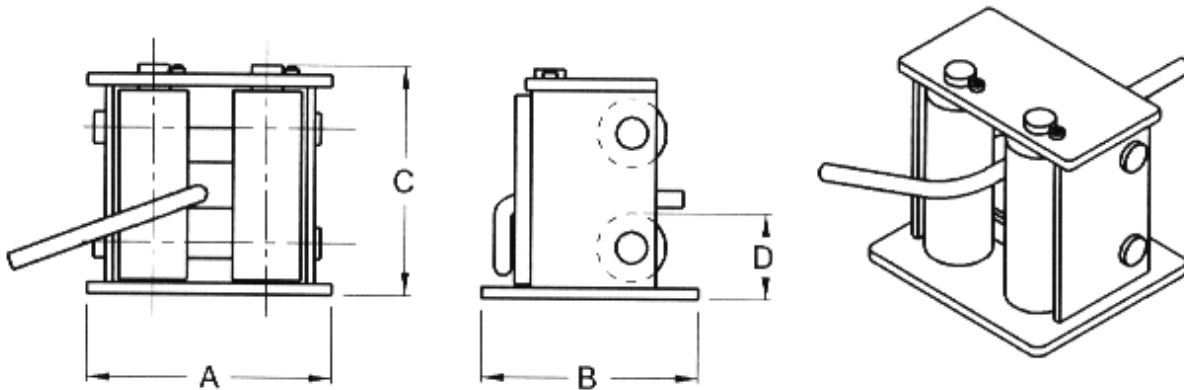
Designed for: 1 rope
 Mounting: weld able in the bulwark
 Approved by: "St. Lawrence Seaway Authority"

Type	Rated towing pull	Rope Ø	Wire Size	A	C	D	E	F	G	H	I	K	L	Weight
BW8Fs	20 kN	-12 mm	12	180	650	80	446	170	10	456	208	80	356	75 kg
BW10Fs	30 kN	-16 mm	16	230	800	100	546	210	10	571	258	100	446	130 kg
BW12Fs	50 kN	-20 mm	20	250	900	120	626	250	15	656	308	120	506	220 kg
BW14Fs	80 kN	-24 mm	24	280	1.000	140	716	288	20	726	328	120	576	320 kg
BW18Fs	120 kN	-32 mm	32	300	1.200	180	836	366	25	852	398	140	676	580 kg
BW24,5Fs	200 kN	-40 mm	40	320	1.350	245	1.030	500	35	1.035	505	180	830	1.100 kg
BW30Fs	320 kN	-48 mm	48	400	1.700	300	1.236	610	45	1.260	583	200	1.016	2.210 kg

alternations may occur, all dimensions in mm

2.1.9. SMITH BERGER ROLLER-FAIRLEADS

pag.23



Model Number	Units of Measure	Maximum Wire Size	Wire Breaking Strength	Roller Diameter	A	B	C	D	Opening W x H	Weight
FR4-2	Inches	1/2	26,600 lbs	2- 1/2	12	5- 1/2	10	3- 1/4	3 x 3	85 lbs
	MM	13	118 kN	64	305	140	254	83	76 x 76	39 Kg
FR4-4	Inches	3/4	58,800 lbs	4	18	9	15	5- 1/8	4 x 4	310 lbs
	MM	19	262 N	102	457	229	381	130	102 x 102	141 Kg
FR4-6	Inches	1- 1/4	159,800 lbs	6	23- 1/2	19	21- 3/16	7- 1/2	4 x 4	830 lbs
	MM	32	711 kN	152	597	483	538	191	102 x 102	376 Kg
FR4-8	Inches	1- 3/4	306,000 lbs	8	32	17	27	9- 3/8	8 x 8	1800 lbs
	MM	44	1361 kN	203	813	432	686	238	203 x 203	816 Kg
FR4-10	Inches	2- 1/4	494,000 lbs	10	40	21	35	15- 1/2	10 x 6	3350 lbs
	MM	57	2198 kN	254	1016	533	889	394	254 x 152	1516 Kg

Standard Features

- Designed for breaking strength of wire with 45° wrap on roller
- Grease lubricated bronze bearings
- Hardened rollers for longer life
- Weld down base
- Alloy steel shafts
- Smith Berger Quality



Optional Features

- Five, six and seven roller designs
- Stainless steel shafts
- Paint to your specification
- OCIMF designs
- Special rollers for high performance synthetic ropes
- Third party certification

*We will custom engineer any of our products to suit **YOUR** requirements!*

7915 10th Ave. S., Seattle, WA 98108 USA - Tel: 206-764-4650 - Fax: 206-764-4653 - Website: www.SmithBerger.com

Page 23